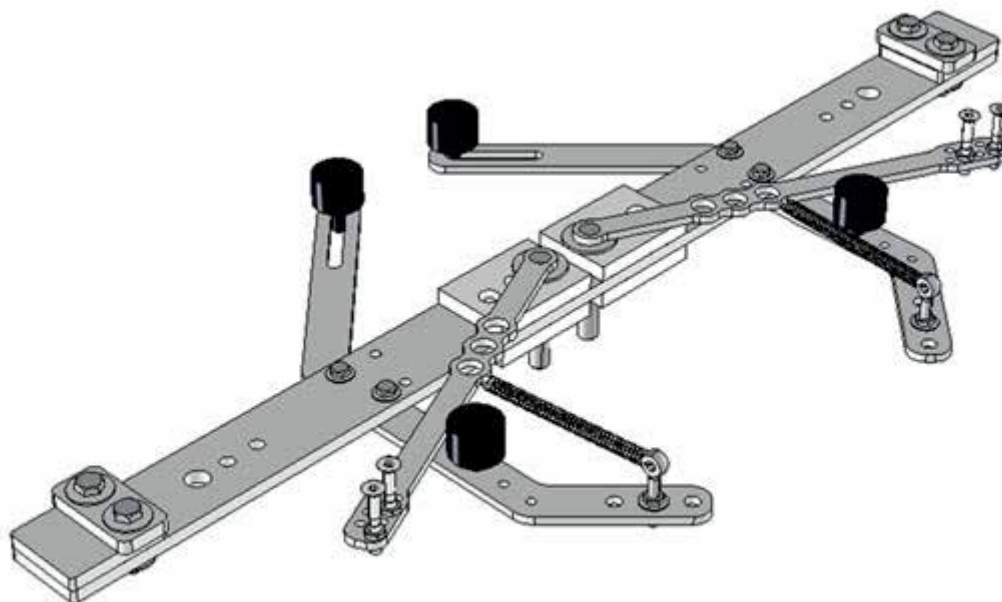


CLEANER FOR CONVEYOR

TECHNICAL SHEET



SPECIFICATIONS

- **Function:** Cleaning the guides on the conveyor
- **Mountin:** Under the downside of conveyour
- **Applicable:** On all Ellegaard standard conveyors

PARTS INCLUDED

- **Monunting:** Clams and screws



Customer Service
P 1300 137 584
E: info@proptec.com.au
www.proptec.com.au